

BRAGI

Quick Start Guide



Download Product Manual

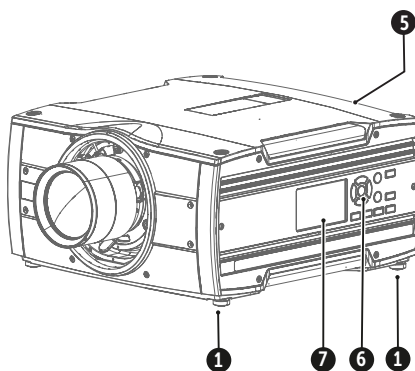
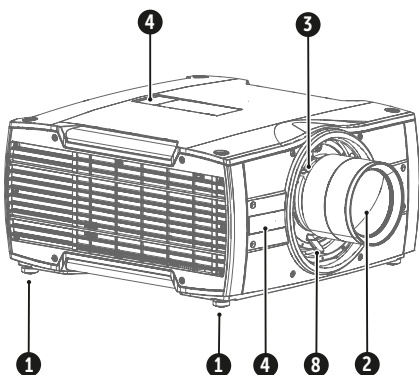
Product manuals and documentation are available online at <https://www.barco.com/en/StaticPages/Landingpages/Residential/page/ProductDetailPages/BragiCS>. Registration may be required; follow the instructions given on the website.

IMPORTANT!

Read Installation Instructions before connecting equipment to the mains power supply.



Projector Main Components and interface



① Adjustable feet

② Projector lens

③ Lens holder

④ IR receiver: For receiving remote control signals

⑤ Connector panel: Control and communication interface

⑥ Keypad. Used for local operation of the projector

⑦ LCD panel

⑧ Lens lock handle



Warning

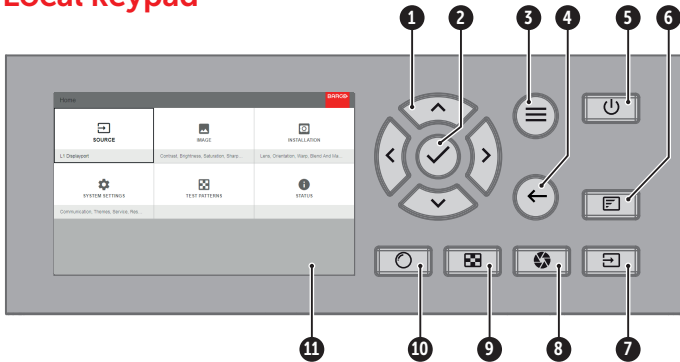
Risk Group 2 (RG2) LED product according to IEC EN 62471-5.

Do not stare in to beam

Refer to user manual before operating



Do not attempt to disassemble or modify this projector.

Local keypad

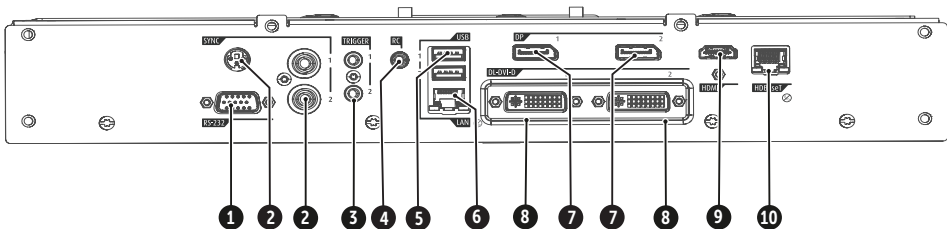


- 1 Menu Navigation
- 2 Menu Selection
- 3 Open Menu
- 4 Menu Back
- 5 Power On/Off
- 6 OSD On/Off
- 7 Input Selection
- 8 Shutter Open/Close
- 9 Test Patterns
- 10 Lens Menu
- 11 LCD Panel

Button backlight status

| BUTTON | COLOR STATUS | DESCRIPTION |
|--|----------------|---------------------------------|
| Power button  | Blinking WHITE | Projector starts up (Booting) |
| | Solid WHITE | Projector is in Standby |
| | Blinking RED | Error condition |
| | Blinking BLUE | Projector goes to ON mode |
| | Solid BLUE | Projector is ON |
| Shutter button  | Off | Projector not in power ON state |
| | Solid WHITE | Shutter is open |
| | Solid RED | Shutter is closed |

Control & communication connections



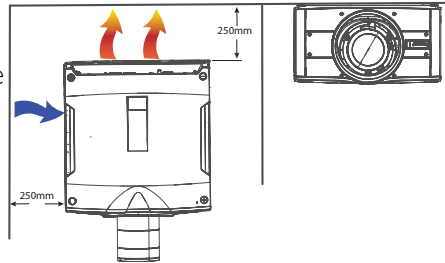
- 1 RS-232: 9-pin DB9 Connector
- 2 Sync Port IN/OUT - BNC / Bidir mini-DIN
- 3 Trigger: 12VDC - 0,5A (6W)
- 4 RC: Jack connector for wired remote
- 5 Usb 2.0 type A, 4 pin
- 6 LAN: Standard RJ45 connector
- 7 DP: Standard Display port
- 8 Dual DVI-I 1.0 (DVI_D Functionality)
- 9 HDMI: Standard HDMI 2.0
- 10 HDBaseT: Standard RJ45 8P8C

Ventilation Requirements

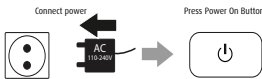
Caution



Do not place heat sensitive objects in the area of the orange arrow



Power up procedure



1. Plug in mains power cord
2. The projector will run a start up procedure. When completed, the standby button illuminates white. (Standby mode).
3. Press power button again to bring the projector in ON mode. When the power button backligh is steady blue, the projector are ready for use.

Power down procedure



1. Press the power button for 3 seconds
2. The power button will illuminate white, and the projector enters the cooling down process.
3. Wait until the cooling down process are completed before removing the main power cord from the projector

Installation Conditions

Ambient operating conditions:

Altitude 0 - 1500m:

Temperature: 10 - 40°C

Humidity: 10-80% RH

Altitude 1500 - 3000m

Temperature: 10 - 35°C

Humidity: 10 - 80% RH

Power requirements:

100 - 240 V, 60 - 50 Hz

Dimensions excl. lens:

450 x 471 x 244mm (WxLxH)

Weight excl. lens: 21,5 kg

NOTE !

The operating conditions will change when dust or pollution filters are installed.

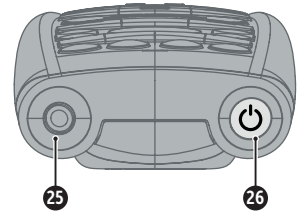
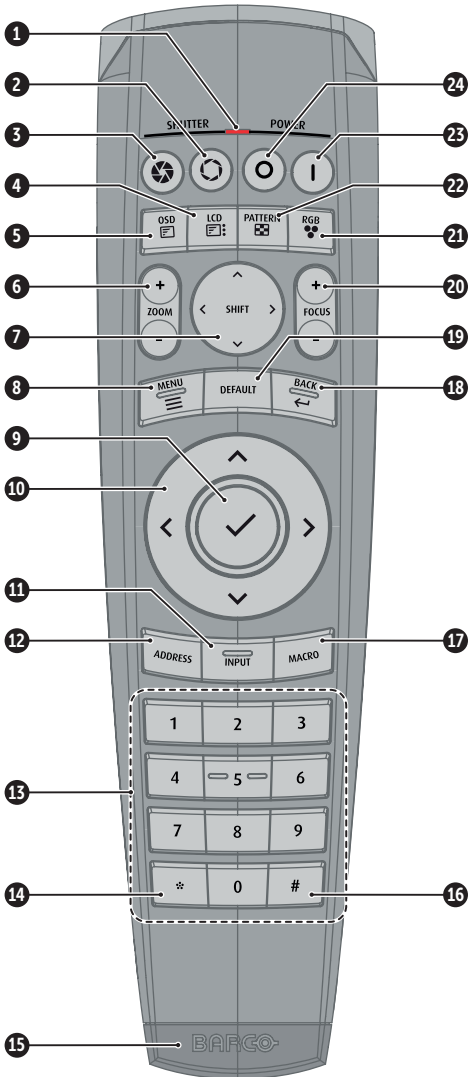
Refer to filter installation manual for correct data

Failure indications

What to do when the content or color is not correct

- Review source information in the status menu (LCD screen or OSD) and verify that the source signal is compatible.
- Check the length of the source cables, and try shorter cables
- Use test image to verify that the correct aspect ratio is selected
- Reset color and display settings to factory settings
- Restart the projector. Let the unit cool down for at least 1 minute prior to restarting

RCU buttons



- 1 Button pressed indicator
- 2 Shutter Open
- 3 Shutter Close
- 4 LCD panel On/Off
- 5 OSD On/Off
- 6 Lens Zoom
- 7 Lens Shift
- 8 Menu Open/Close
- 9 Menu Selection, OK button
- 10 Menu Navigation
- 11 Input Selection
- 12 Address button
- 13 Numeric buttons
- 14 Backspace (when entering values)
- 15 XLR connector
- 16 Decimal mark (when entering values)
- 17 Macro button
- 18 Menu Back
- 19 Default button
- 20 Lens Focus
- 21 Color menu
- 22 Test Patterns
- 23 Power On
- 24 Power Off
- 25 3.5 mm jack
- 26 RCU On/Off

RCU batteries

- Two AA size batteries. Use alkaline batteries for optimum range and life time.
- Replacing batteries will reset the broadcast address of the RCU to its default value '0'.
- Replacing batteries switches on the RCU automatically.

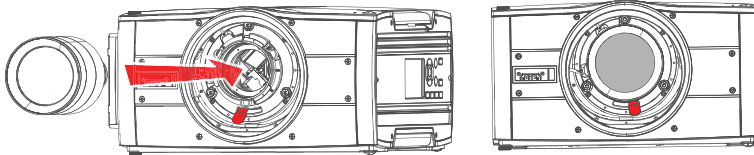
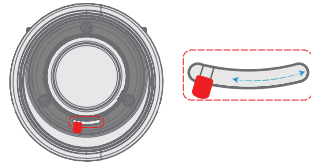
Installing lens



Warning

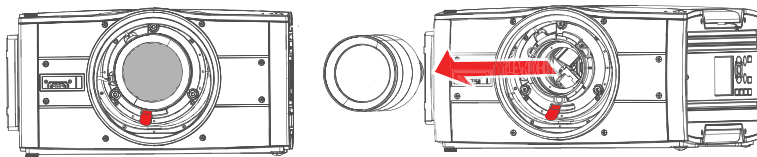
Always keep shutter closed when installing or removing the lens.

1. When handling lens in or out, always close shutter, see keypad explanation. Press Shutter keypad, and verify that the shutter keypad turn in to red illumination. This indicate that the shutter is closed. When the lens is installed, open shutter by pressing the shutter key. Shutter open state is verified when the shutter key illuminates white.
2. Verify that the lens release lever is in it's default position, at the far left of the slide, as illustrated
3. Remove the protective cap at the lens bayonet end
4. Align the lens so that the red marking on the bayonet end is facing upwards.
5. Install the lens bayonet into the lens mount, and then move the lever to the right. Check that the lever is firmly



Lens Removal

1. When removing the lens, always close the shutter, see keypad explanation. Press Shutter keypad, and verify that the shutter keypad turn in to red illumination. This indicate that the shutter is closed. When new lens is installed, open shutter by pressing the shutter key again. Shutter open state is verified when the shutter key illuminates white.
2. Move the lever to the far left position
3. Pull the lens straight out of the lens mount.



NOTE!! To prevent damage to the lens, and dust contamination in the projector light processor, always replace the lens bayonet cap, lens front cap and projector lens cap immediately after removing the lens.

Software upgrade



CAUTION !

Do NOT turn off, power down, or remove mains power supply to the projector when an upgrade is in progress.

NOTE !

Once initiated, the upgrade procedure can take up to 20 minutes to complete.

1. Go to www.barco.com and select your product. All available firmware downloads are filed under the Technical Downloads tab
2. Download the firmware. Extract and save the file to a USB Stick with FAT file system. Use the eject function on your PC to safely remove the device from your computer.
3. Place the projector in Standby mode (status indicator is steady white).
4. Insert the USB stick into one of the projector's rear USB ports.

After a few seconds, the status indicator will flash. (Rate: 3 Hz/180 FPM). This signals that the upgrade is in progress.

If the upgrade file is corrupt or invalid, the status indicator will turn red and the upgrade process will stop.

Note! The upgrade will not be installed in this instance, and the upgrade process must be restarted with a full and correct file.

The projector may restart several times during the upgrade process

5. The LCD display will show the progress of the update procedure, and also when the USB stick must be removed. The projector will return to standby mode (status indicator is steady) once the upgrade is completed successfully.

The projector is now ready for normal operation.